



VLA-521B

3pc-Design Stainless Steel Ball Valve
Butt-Weld-Ends



DN8 - DN100

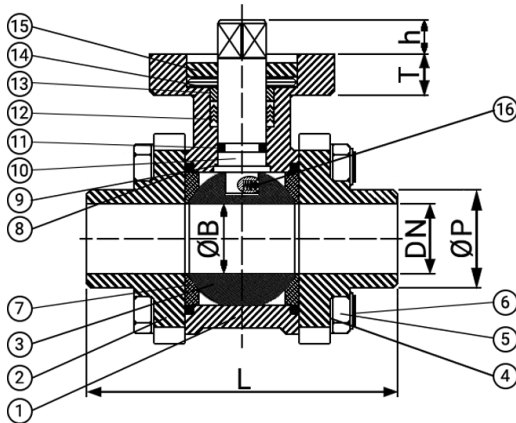
- 3pc design
- For automation application
- Full bore
- Pressure range **PN 63**
- Length acc. to DIN 3202 **S13** / DIN EN 12982-ETE67
- Mounting top acc. ISO 5211
- Temperature range -10°C / +200°C
- Anti-Blow-Out stem

- VLA - suitable for Ex-applications

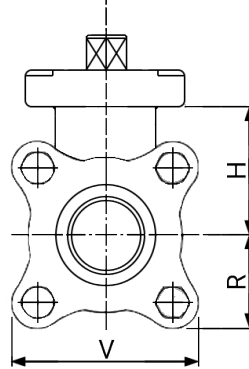
On request:

- Different sealing materials
- For steam applications
- Locking device
- Manual operated
- Further options

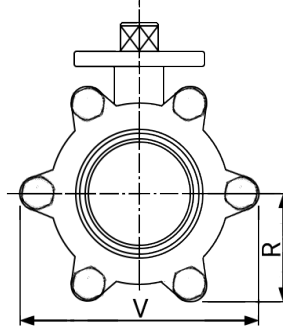
Standard		
ISO9001	PED	TA Luft
Antistatic		
On request		
FDA	EC1935	



DN8 - DN65

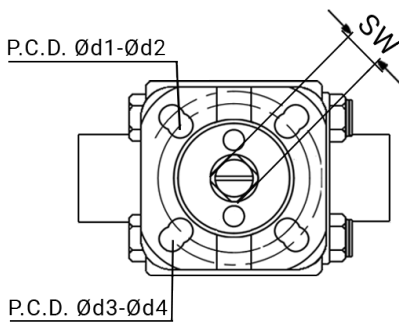


DN80 - DN100



	Parts list	Qty.	Material
1	Body	1	1.4408
2	Cap	2	1.4408
3	Ball	1	1.4408
4	Washer	4-12	1.4301
5	Nut	4-12	A2-70
6	Screw / Bolt	4-6	A2-70
7	Ball seat	2	PTFE
8	Body seal	2	PTFE
9	Thrust washer	1	PTFE
10	Stem	1	1.4401
11	O-Ring	1	Viton
12	Stem packing	1 Set	PTFE
13	Gland ring	1	1.4301
14	Disc spring	2	1.4310
15	Gland nut	1	1.4301
16	Antistatic-device	1	1.4401

¹ PTFE/PTFE conductive



DN	Inch	L	øB	øP	H	T	R	V	h	SW	ØD1	Ød2	ØD3	Ød4	ISO 5211	Nm ^a	[kg]
8	1/4"	75	16	18	31	9	23,5	47	9	9	36	6	42	6	F03/F04	6	0,6
10	3/8"	75	16	20	31	9	23,5	47	9	9	36	6	42	6	F03/F04	6	0,6
15	1/2"	75	16	23	31	9	23,5	47	9	9	36	6	42	6	F03/F04	10	0,6
20	3/4"	90	20	28	35	9	27	53,5	9	9	36	6	42	6	F03/F04	14	0,9
25	1"	100	25	34	42	10	30	60,5	12	11	42	6	50	7	F04/F05	17	1,25
32	1-1/4"	110	32	41	48	10	35,5	71	12	11	42	6	50	7	F04/F05	24	1,9
40	1-1/2"	125	40	49	55	13	40,5	81,5	15,5	14	50	7	70	9	F05/F07	29	2,8
50	2"	150	50	62	64	13	50	100	15,5	14	50	7	70	9	F05/F07	44	4,5
65	2-1/2"	190	65	78	85	13	53,5	127	18,5	17	70	9	102	11	F07/F10	78	9,1
80	3"	220	80	93	97	13	83,5	188	18,5	17	70	9	102	11	F07/F10	112	14,1
100	4"	270	100	125	118	16	97,5	221	24	22	-	-	102	11	F10	140	23,3

Dimensions in mm

^a incl. 30% safety factor
→ for non-greased media x 1,3
For more informations, please see the torque table