



VL-521B-ISO-SS-M

3pc-Design Stainless Steel Ball Valve
Welding Ends

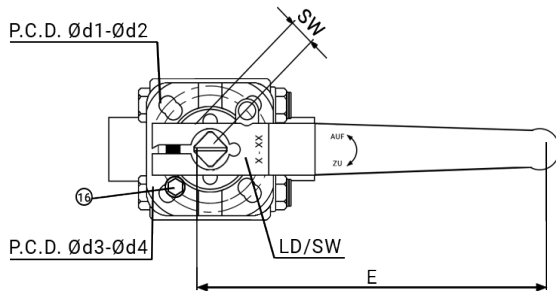
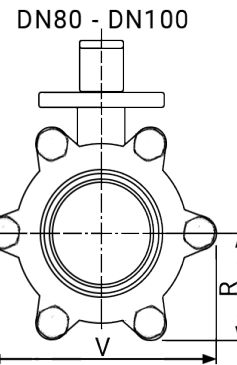
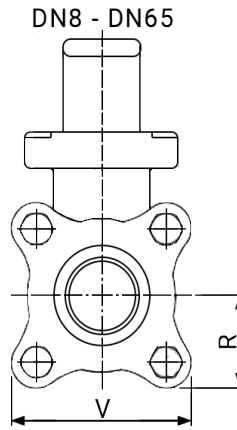
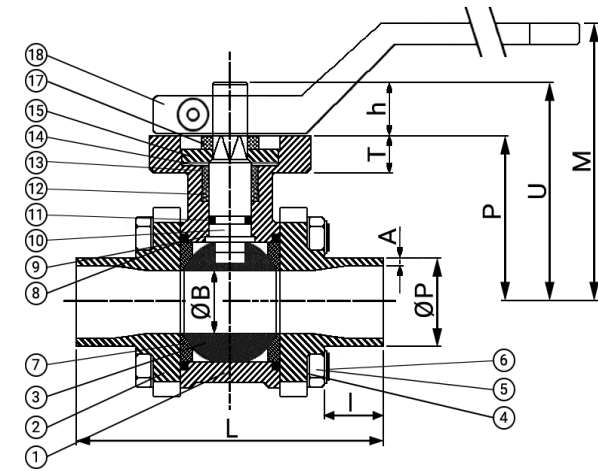
DN8 - DN100



- 3pc design
- For automation application / manual operated
- Full bore
- Pressure range **PN 63**
- Dimensions of the Welding ends acc. **ISO 1121**
- Mounting top acc. ISO 5211

- Temperature range -10°C / +200°C
- Anti-blow-out stem
- For steam application, please request specification:
- Locking device
- On request
- Further options

Standard		
ISO9001	PED	TA Luft
FDA		
Auf Anfrage		
ATEX	EC1935	



Parts list	Qty.	Material
1 Body	1	1.4408
2 Cap	2	1.4408
3 Ball	1	1.4408
4 Washer	4-12	1.4301
5 Nut	4-12	A2-70
6 Schre / Bolt	4-6	A2-70
7 Ball seat	2	RPTFE-FDA ¹
8 Body seal	2	PTFE-FDA
9 Thrust washer	1	PTFE-FDA
10 Stem	1	1.4401
11 O-Ring	1	Silicone-FDA
12 Stem packing	1 Set	PTFE-FDA
13 Gland Ring	1	1.4301
14 Disc spring	2	1.4310
15 Gland nut	1	1.4301
16 Stopper	1	1.4301
17 Distanzring	1	PTFE-FDA
18 Hand lever (casting type)	1	1.4308

¹ PTFE/stainless steel-FDA

DN	Inch	L	ØB	ØP	P	U	M	T	A	I	E	LD*	R	V	h	SW	Ød1	Ød2	Ød3	Ød4	ISO 5211	Nm ^a	[kg]
8	1/4"	75	16	13,5	40	49	64	9	1,6	12,5	124	F03	23,5	47	9	9	36	6	42	6	F03/F04	6	0,8
10	3/8"	75	16	17,2	40	49	64	9	1,6	12,5	124	F03	23,5	47	9	9	36	6	42	6	F03/F04	6	0,7
15	1/2"	74	16	21,3	40	49	64	9	1,6	12	124	F03	23,5	47	9	9	36	6	42	6	F03/F04	10	0,7
20	3/4"	87	20	26,9	44	53	68	9	1,6	15,5	124	F03	27	53,5	9	9	36	6	42	6	F03/F04	14	0,9
25	1"	96	25	33,7	52	64	91	10	2	18	187	F04	30	60,5	12	11	42	6	50	7	F04/F05	17	1,4
32	1-1/4"	108	32	42,4	58	70	97	10	2	17,5	187	F04	35,5	71	12	11	42	6	50	7	F04/F05	24	2,1
40	1-1/2"	121	38	48,3	68	83	107	13	2	19	222	F05	40,5	81,5	15	14	50	7	70	9	F05/F07	29	3,1
50	2"	147	50	60,3	77	92	116,5	13	2	21	222	F05	50	100	15	14	50	7	70	9	F05/F07	44	4,6
65	2-1/2"	187	65	76,1	98	116	154,5	13	2	30,8	302	F07	53,5	127	18	17	70	9	102	11	F07/F10	78	9,5
80	3"	213	80	88,9	110	128	166,5	13	2,3	38	302	F07	83,5	188	18	17	70	9	102	11	F07/F10	112	14,4
100	4"	261	100	114,3	138	162	219,5	16	2,3	48	350	F10	97,5	221	24	22	-	-	102	11	F10	140	22,3

Dimensions in mm

• LD= Locking device
^a incl. a safety factor of 30%
 → for further informations, please see separate torque table