



VL-421T

2pc-Design Stainless Steel Ball Valve
Thread-Connection



DN15 - DN80

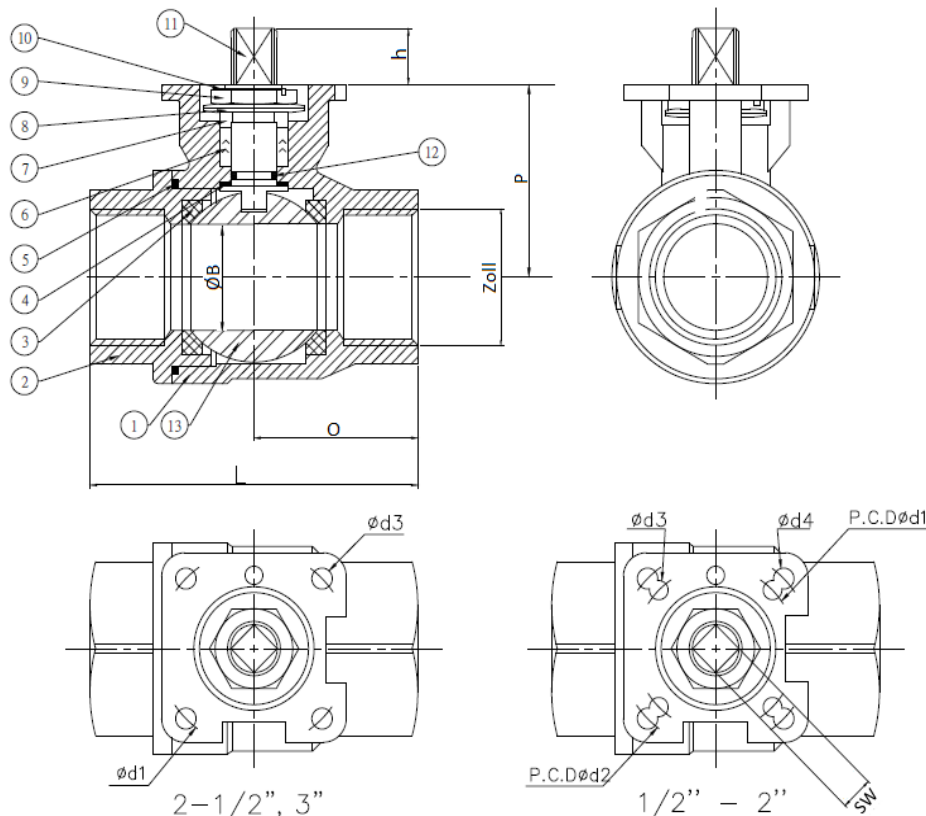
- 2pc design
- For automation application
- Full bore
- Pressure range **PN 63**
- Female Threads acc. DIN 2999 / DIN EN 10226-1
- Mounting top acc. ISO 5211
- Temperature range -10°C / +200°C

- Anti-Blow-Out stem

On request:

- Locking device
- Manual operated / hand levers
- Antistatic device
- Further options

Standard		
ISO9001	PED	TA Luft
On request		
FDA	EC1935	
Antistatic		



Parts list	Qty.	Material
1 Body	1	1.4408
2 Cap	1	1.4408
3 Ball seat	2	PTFE
4 Thrust washer	1	PTFE
5 Body seal	1	PTFE
6 Stem packing	1 Set	PTFE
7 Gland ring	1	1.4301
8 Disc spring	2	1.4310
9 Gland nut	1	1.4301
10 Retainer	1	1.4301
11 Stem	1	1.4401
12 O-Ring	1	Viton
13 Ball	1	1.4408

Inch	DN	L	$\varnothing B$	P	O	h	SW	$\varnothing d1$	$\varnothing d2$	$\varnothing d3$	$\varnothing d4$	ISO 5211	Nm ^a	[kg]
1/2"	15	64	15	35	31	8	9	36	42	5,5	5,5	F03/F04	10	0,4
3/4"	20	68	20	40,5	33	11	11	42	50	5,5	6,5	F04/F05	14	0,5
1"	25	75	25	44	38	11	11	42	50	5,5	6,5	F04/F05	17	0,7
1-1/4"	32	96,5	32	50	48	12	11	42	50	5,5	6,5	F04/F05	24	1
1-1/2"	40	102	38	53,5	50	12	11	42	50	5,5	6,5	F04/F05	29	1,4
2"	50	126	50	65	63	15	14	50	70	6,5	8,5	F05/F07	44	2,7
2-1/2"	65	149,5	65	90,5	75	18	17	70	-	8,5	-	F07	78	5,1
3"	80	165	76	100	82	18	17	70	-	8,5	-	F07	112	7,6

Dimensions in mm

^a incl. 30% Safety factor
→ for non-greased media x 1,3
For further informations, please see the torque table