



VL-402T-M

2pc-Design Stainless Steel Ball Valve
Female Threads



DN8 - DN50

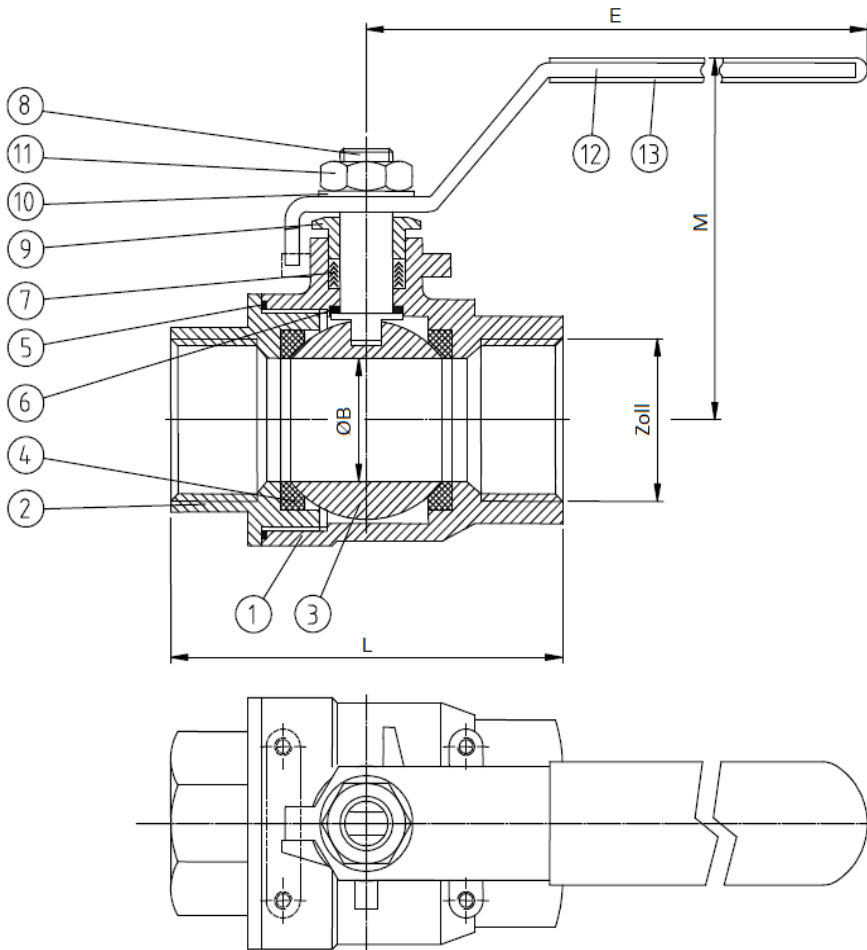
- 2pc design
- Manual operated
- Full bore
- Pressure range **PN 100**
- Female Threads acc. DIN 2999 / DIN EN 10226-1
- Length acc. DIN 3202 **M3** / DIN EN 16722
- Temperature range -10°C /+200°C

- Anti-Blow-Out stem

On request:

- Locking device
- Further options

Standard	
ISO9001	PED



Parts list	Qty.	Material
1 Body	1	1.4408
2 Cap	1	1.4408
3 Ball	1	1.4408
4 Ball seat	2	RPTFE ¹
5 Body seal	1	PTFE
6 Thrust washer	1	PTFE
7 Stem packing	1 Set	PTFE
8 Stem	1	1.4401
9 Gland nut	1	1.4301
10 Washer	1	1.4301
11 Nut	1	1.4301
12 Hand lever	1	1.4301
13 Sleeve	1	Plastic

¹ PTFE+Glass fiber

Inch	DN	L	ØB	M	E	[kg]
1/4"	8	55	11,5	50	96	0,3
3/8"	10	60	13	50	96	0,3
1/2"	15	75	15	53	96	0,45
3/4"	20	80	20	64	125	0,65
1"	25	90	25	66	125	0,9
1-1/4"	32	110	32	79	170	1,45
1-1/2"	40	120	38	83	170	2,1
2"	50	140	50	94	190	3,5

Dimensions in mm