



VL-401T-M

2pc-Design Stainless Steel Ball Valve
Female Threads



DN8 - DN80

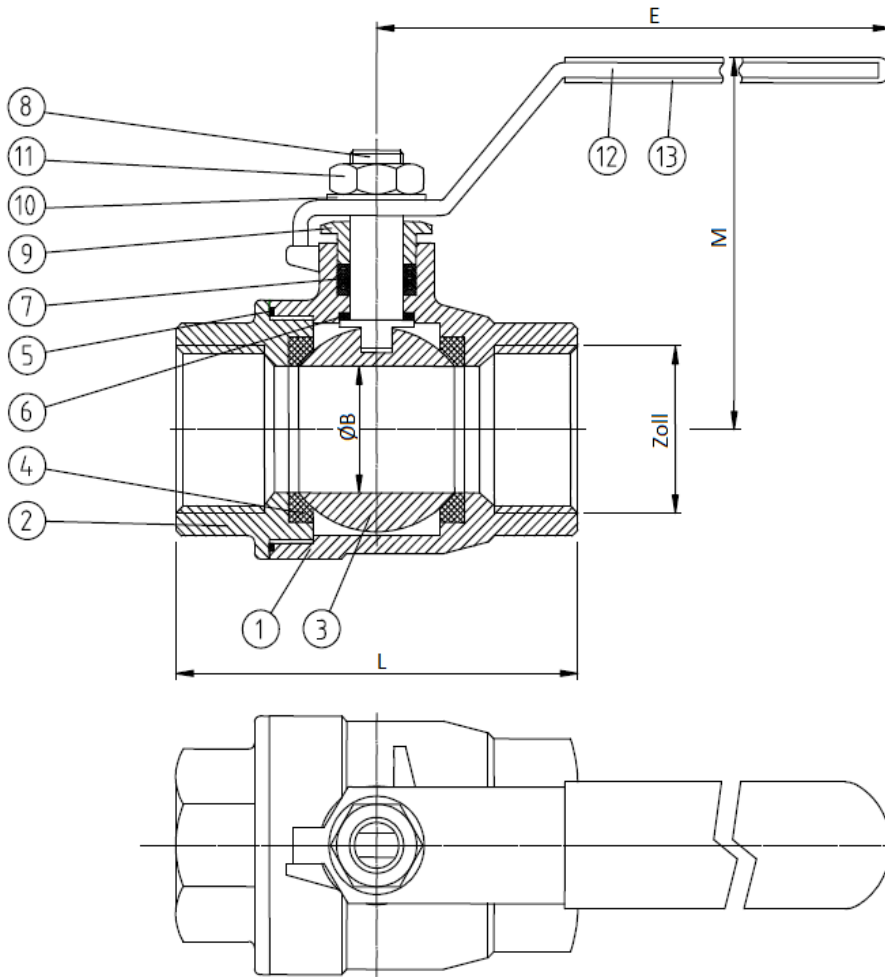
- 2pc design
- Manual operated
- Full bore
- Pressure range **PN 63**
- Female Threads acc. DIN 2999 / DIN EN 10226-1
- Temperature range -10°C / +200°C

• Anti-Blow-Out stem

On request:

- Locking device
- Further options

Standard	
ISO9001	PED
On request	
FDA	



	Parts list	Qty.	Material
1	Body	1	1.4408
2	Cap	1	1.4408
3	Ball	1	1.4408
4	Ball seat	2	PTFE
5	Body seal	1	PTFE
6	Thrust washer	1	PTFE
7	Stem packing	1 Set	PTFE
8	Stem	1	1.4401
9	Gland nut	1	1.4301
10	Washer	1	1.4301
11	Nut	1	1.4301
12	Hand lever	1	1.4301
13	Sleeve	1	Plastic

Inch	DN	L	ØB	M	E	[kg]
1/4"	8	54	11,5	50	97,5	0,3
3/8"	10	54	13	50	97,5	0,25
1/2"	15	68	15	53	125,5	0,45
3/4"	20	76	20	64	125,5	0,5
1"	25	88	25	66	143,5	0,95
1-1/4"	32	98	32	79	143,5	1,45
1-1/2"	40	120	38	83	203,5	2,2
2"	50	134	50	94	203,5	3,5
2 1/2"	65	164	65	136	250	7,2
3"	80	181	80	149	250	10,8

Dimensions in mm